

**2000 DOMESTIC  
MORTALITY REVIEW REPORT**

**AN EXAMINATION OF  
DOMESTIC VIOLENCE  
HOMICIDES IN DUVAL COUNTY  
JANUARY 1, 2000 THROUGH  
DECEMBER 31, 2000**

**AND AN ANALYSIS OF DOMESTIC VIOLENCE  
HOMICIDES DECEMBER 1996 - DECEMBER 2000**

**SUBMITTED BY THE DOMESTIC  
VIOLENCE INTERVENTION PROJECT'S  
SUBCOMMITTEE ON DOMESTIC HOMICIDE**

**LAURA BAER  
STATE ATTORNEY'S OFFICE  
COMMITTEE CHAIR**

**COMMITTEE MEMBERS**

*Joanne*  
**KIMBERLY BAGGETT, STATE ATTORNEY'S OFFICE  
LORETTA BRIENZA, SALVATION ARMY  
ANDY MORGAN, JACKSONVILLE SHERIFF'S OFFICE  
*Donna* ~~DEBRA RUHLMAN, STATE ATTORNEY'S OFFICE~~  
BRAM SCHARF, STATE ATTORNEY'S OFFICE  
ELLEN SILER, HUBBARD HOUSE, INC.  
BILL WHITTLESEY, JACKSONVILLE SHERIFF'S OFFICE**

The 2000 Domestic Mortality Review Report was sponsored by the Domestic Violence Intervention Project Committee (DVIP).

**2000 DVIP COMMITTEE CHAIRPERSON**

Ellen Siler, Hubbard House, Inc.

**2000 DVIP COMMITTEE MEMBERS**

*Sherry Colson*

Laura Baer, State Attorney's Office

Loretta Brienza, Salvation Army 0 353-0971 X3207 Post 366-9240

Sherry Colson, Clerk of the Court's Office

Clifton Nehmer, Hubbard House, Inc.

Kim Martyn, Jacksonville Area Legal Aid, Inc.

Sandi McDermott, Mayport Family Advocacy Program

Andy Morgan, Jacksonville Sheriff's Office 696-4335

Debra Ruhlman, State Attorney's Office

Honorable Brent Shore, County Court

Gail Wainwright, Clerk of the Court's Office

Honorable David Wiggins, Family Law Division

Gayle Alston, City of Jacksonville

# TABLE OF CONTENTS

	<u>PAGE</u>
TABLE OF CONTENTS .....	4
COMMITTEE GOALS .....	5
FACTORS REVIEWED .....	6
ORDER OF EXAMINATION .....	7
2000 CASES .....	8
PATTERNS/2000 ONLY .....	27
PATTERNS DATE (1997 - 2000) .....	29
CONCLUSIONS .....	33
GRAPHS .....	35
APPENDIX A .....	45
1997 PATTERNS .....	46
APPENDIX B .....	48
1998 PATTERNS .....	49
APPENDIX C .....	52
1999 PATTERNS .....	53

## **COMMITTEE GOALS**

The Domestic Mortality Review Subcommittee was initially formed by Jacksonville's Domestic Violence Intervention Project to study domestic homicides occurring in Jacksonville in 1997. The purpose of the first study was to examine these homicides to determine if our community could have helped to prevent them. The project has been continued every year resulting in an annual report. The committee has examined all domestic homicides that occurred in Jacksonville between December 1, 1996 and December 31, 2000. This committee did not examine child abuse murders as there is a child death review team.

The following report outlines the facts of the ten domestic homicide incidents in 2000 which resulted in twelve domestic homicides and seven suicides. It then tracks patterns by evaluating specific information on a yearly basis. Finally, this report provides for an opportunity to examine trends by reviewing all fifty-five domestic homicides occurring between December 1, 1996, and December 31, 2000.

## **FACTORS REVIEWED**

In order to look at a comprehensive, community services based prevention, the following information was reviewed and considered by our committee:

1. Police reports involving the victim and suspect.
2. Department of Children and Families referrals involving victim or suspect.
3. Shelter services, hotline contact, court advocacy or other domestic violence services utilized by victim or suspect.
4. Civil proceedings including Myers/Baker Acts, Dissolutions of Marriage, Injunctions involving victim and/or suspect.
5. Criminal record of victim and suspect.
6. State Attorney files involving victim and suspect including any medical records in previous domestic or homicide files.
7. Batterers' intervention program participation including performance, completion, violations and victim contact.
8. HARK attendance by children of victim and/or suspect.
9. Animal abuse or neglect complaints.
10. Other known services provided to victim and/or suspect.
11. Medical Examiner's report pertaining to the victim.

## ORDER OF EXAMINATION

### I. CRIME

- A. Relationship of parties
- B. Case summary

### II. CRIMINAL RECORDS AND REPORTS

- A. Domestic violence
- B. Non-domestic violent crimes
- C. Substance abuse arrests

### III. CIVIL

- A. Domestic Violence Injunctions; Dissolutions of Marriage
- B. Department of Children and Families Referrals and Baker/Myers Act commitments

### IV. SERVICES

- A. Shelter services/hotline calls
- B. HARK attendance
- C. Batterers' intervention program (Hubbard House/Salvation Army)
- D. Substance abuse program

### V. OTHER CONCERNS

## 2000 CASES

2000-1

Date of Homicide/Suicide: 02/01/00

Victim 1: Black Female, 26  
Victim 2: Black Female, 24

Suspect: Black Male, 27

### I. CRIME

- A. RELATIONSHIP: Victim 1 was the suspect's wife (co-habitants); Victim 2 was the suspect's ex-girlfriend. Suspect and Victim 1 had been talking about divorce. Suspect and Victim 2 had a child in common.
- B. CASE SUMMARY: Sometime between the evening hours of January 31st and the morning of February 1, 2000, the suspect strangled Victim 1 then went to Victim 2's residence and strangled her. He subsequently drove to his place of employment and killed his boss by shooting him. Later that day the suspect committed suicide by shooting himself after being surrounded by police on the interstate. The presence of children was not mentioned in the police report.

### II. CRIMINAL RECORDS AND REPORTS

#### A. DOMESTIC VIOLENCE

1. Victim 1 - No Record  
Victim 2 - No Record
2. Suspect - No Record

#### B. NON-DOMESTIC VIOLENT CRIMES

1. Victim 1 - No Record  
Victim 2 - No Record
2. Suspect - 09/05/97, Aggravated Battery; Discharge Firearm on School Property; Carrying A Concealed Firearm; Possession of a Firearm During Commission of Felony, suspect went to a high school function and a melee broke out where several people had firearms. Suspect claims he fired in self defense.

Disposition: Suspect pled guilty to firing a weapon in public and was sentenced to one year in the Duval County Jail, restitution and court costs.



**C. SUBSTANCE ABUSE ARREST**

1. Victim 1 - No Record  
Victim 2 - No Record

2. Suspect - No Record

**III. CIVIL**

A. Victim 1 & 2 - On 11/03/98, Victim 1 obtained an Injunction for Protection Against Victim 2 claiming she was being stalked and threatened by Victim 2.

B. Suspect - No Record

**IV. SERVICES**

A. Victim 1 - No Record  
Victim 2 - No Record

B. Suspect - No Record

**V. OTHER CONCERNS**

Suspect owed back child support to his ex-girlfriend, Victim 2.

His wife, Victim 1, was resistant to his attempt to reconcile.

Date of Homicide/Suicide: 03/19/00

Victim: White Female, 22

Suspect: White Male, 28

**I. CRIME**

1. RELATIONSHIP: Girlfriend/Boyfriend (co-habitants)
2. CASE SUMMARY: Victim and suspect were found dead in their residence on March 19, 2000. The investigation revealed that both parties died as the result of a gun shot wound to the head. The suspect shot and killed the victim and then shot himself. No children were present during the violence.

**II. CRIMINAL RECORDS AND REPORTS**

**A. DOMESTIC VIOLENCE**

1. Victim - No Record
2. Suspect - No Record

**B. NON-DOMESTIC VIOLENT CRIMES**

1. Victim - No Record
2. Suspect - No Record

**C. SUBSTANCE ABUSE ARRESTS**

1. Victim - No Record
2. Suspect - No Record

**III. CIVIL**

- A. Victim - No Record
- B. Suspect - No Record

**IV. SERVICES**

- A. Victim - No Record
- B. Suspect - No Record

**V. OTHER CONCERNS**

Police reports indicated that people close to the victim and suspect believed both parties were involved in abusing painkillers and anti-depressants.

Date of Homicide/Suicide: 06/07/00

Victim: White Male, 22

Suspect: White Female, 26

**I. CRIME**

A. RELATIONSHIP: Boyfriend/Girlfriend (co-habitants)

B. CASE SUMMARY: On June 7, 2000, the suspect failed to show up for work. Her employer went by her home to pick up the company's vehicle, and discovered the door unlocked. He entered and found the victim and the suspect dead in the living room. The victim was shot twice while lying on the couch. The suspect fatally shot herself once in the chest. The investigation revealed that the victim was involved in another relationship and was planning to leave the suspect.

**II. CRIMINAL RECORDS AND REPORTS**

A. DOMESTIC VIOLENCE

1. Victim - No Record
2. Suspect - No Record

B. NON-DOMESTIC CRIMES

1. Victim - No Record
2. Suspect - No Record

C. SUBSTANCE ABUSE ARRESTS

1. Victim - No Record
2. Suspect - No Record

**III. CIVIL**

- A. Victim - No Record
- B. Suspect - No Record

**IV. SERVICES**

A. Victim - No Record

B. Suspect - No Record

**V. OTHER CONCERNS**

None noted

Date of Homicide: 06/30/00

Victim: White Female, 26

Suspect: White Male, 30

**I. CRIME**

A. RELATIONSHIP: Wife/Husband (co-habitants)

B. CASE SUMMARY: On June 29, 2000, the female roommate of the victim and suspect left the residence because the victim and suspect were arguing. The roommate advised that the suspect had been drinking beer and smoking marijuana. She returned the next day and found the suspect at home, acting strangely. She went to get police assistance. The police found the victim dead on the floor of the bedroom. The victim died from ligature strangulation. The suspect was charged with the victim's murder. Case is pending.

**II. CRIMINAL RECORDS AND REPORTS**

A. DOMESTIC VIOLENCE

1. Victim - No Record
2. Suspect - No Record

B. NON-DOMESTIC VIOLENT CRIMES

1. Victim - No Record
2. Suspect - No Record

C. SUBSTANCE ABUSE ARRESTS

1. Victim - No Record
2. Suspect - 7/3/00, Possession of Marijuana

Disposition: Nolle Pros (Arrested at the time the murder was discovered, dropped because murder case filed).

**III. CIVIL**

- A. Victim - No Record
- B. Suspect - No Record

**IV. SERVICES**

- A. Victim - The victim had scheduled an appointment for marriage counseling for July 11, 2000; victim was murdered prior to appointment.
- B. Suspect - No record

**V. OTHER CONCERNS**

According to the victim's father and her roommate, the victim had attempted to take a quantity of muscle relaxants the evening of the murder. Additionally, the autopsy showed the victim's blood ethanol level was .20 at time of death. The victim had recently been placed on probation for poor performance and attitude at her work place. Several co-workers interviewed were aware she was having marital problems.

According to the roommate, the suspect had been exhibiting strange behavior for a few weeks prior to the murder. The suspect expressed his belief he was being bugged, followed, and targeted by FBI.

Date of Homicide: 07/16/00

Victim: Black Male, 37

Suspect: Black Female, 36

**I. CRIME**

A. RELATIONSHIP: Husband/Wife (co-habitants)

B. CASE SUMMARY: On July 17th at approximately 2:00 A.M., the victim and suspect argued over the victim coming in late. The argument got physical and the victim choked and slapped the suspect. According to the suspect, she called 911 and the victim hung up the phone before the operator answered. The victim then told the suspect to get out of the house. The suspect took her purse and her gun and left the house. The suspect got in her car. The victim called to the suspect as she was backing her car out of the garage, and she stopped the car. The victim slapped her through the open car window. The suspect fired one shot out the window, striking the victim in the face. The suspect called 911. The suspect was arrested; case pending.

**II. CRIMINAL RECORDS AND REPORTS**

A. DOMESTIC VIOLENCE

1. Victim - No record
2. Suspect - No record

B. NON-DOMESTIC VIOLENT CRIMES

1. Victim - No record
2. Suspect - No record

C. SUBSTANCE ABUSE ARRESTS

1. Victim - No record
2. Suspect - No record

**III. CIVIL**

- A. Victim - No record
- B. Suspect - No record

**IV. SERVICES**

- A. Victim - No record
- B. Suspect - No record

**V. OTHER CONCERNS**

None noted



Date of Homicide/Suicide: 08/08/00

Victim: Black Female, 37

Suspect: Black Male, 40

**I. CRIME**

A. RELATIONSHIP: Wife/Husband, (co-habitants)

B. CASE SUMMARY: Some time between Friday, August 4, 2000 and Monday, August 8, 2000, the suspect killed the victim by shooting her in the head. He then committed suicide by shooting himself in the head. The couple had two children who were visiting their grandparents at the time of the incident.

**II. CRIMINAL RECORDS AND REPORTS**

A. DOMESTIC VIOLENCE

1. Victim - No Record
2. Suspect - 12/17/97; Aggravated Assault (Domestic Violence); victim and suspect had an argument and he began hitting her. He then retrieved his gun, loaded it and pointed it at her. The police arrived and he shoved the gun under the bed. The police officer found the gun.

Disposition: Dropped; Could not be proven as no excited utterances or witnesses and victim not cooperative.

B. NON-DOMESTIC VIOLENT CRIMES

1. Victim - No Record
2. Suspect - No Record

C. SUBSTANCE ABUSE ARREST

1. Victim - No Record
2. Suspect - 02/09/86; Driving Under the Influence;

Disposition: Adjudicated guilty, one day in jail, ordered to complete 50 hours of community service, ordered to pay a fine and court costs.

05/19/99; Driving Under the Influence; Driving Under the Influence (Property Damage); Driving Under the Influence (Personal Injury).

Disposition: Pled no contest to the personal injury DUI, adjudicated guilty, placed on nine months probation, sent to DUI school, ordered to pay a fine,

court costs and restitution. Probation violated February 20, 2000 pending at time of murder/suicide.

**III. CIVIL**

- A. Victim - No Record
- B. Suspect - No Record

**IV. SERVICES**

- A. Victim - No Record
- B. Suspect - Ordered in alcohol safety education classes and failed to show proof of completion

**V. OTHER CONCERNS**

According to a relative of the victim, the victim was seeing another man and the suspect was aware of it.

Date of Homicide/Suicide: 08/27/00

Victim: Black Female, 20

Suspect: White Male, 26

**I. CRIME**

A. RELATIONSHIP: Wife/Husband (co-habitants)

B. CASE SUMMARY: The suspect and victim had a confrontation outside of their apartment. The altercation continued inside and neighbors heard several gunshots. The suspect fatally shot the victim, then shot the victim's sixteen year old sister. The suspect then fatally shot himself. The victim's sister was transported to Shands Hospital in serious condition and survived.

**II. CRIMINAL RECORDS AND REPORTS**

A. DOMESTIC VIOLENCE

1. Victim - No record
2. Suspect - No record

B. NON-DOMESTIC VIOLENT CRIMES

1. Victim - No record
2. Suspect - 08/19/93 - Robbery

Disposition - One year in jail followed by one year probation - probation violated. Violation dropped for testimony against co-defendant.

12/27/94 - Shooting In An Occupied Dwelling / Possession of a Firearm by a Convicted Felon / Grand Theft

Disposition - One year in jail. The suspect was serving at a work release center and he walked off.

07/07/95 - Escape

Disposition - Three and one-half years in prison as Habitual Offender

III. C. SUBSTANCE ABUSE ARRESTS

1. Victim - No record
2. Suspect - 10/20/94 - Possession of Marijuana

Disposition - Ten days jail

IV. CIVIL

- A. Victim - No record
- B. Suspect - No record

V. SERVICES

- A. Victim - No record
- B. Suspect - No record

V. OTHER CONCERNS

The victim was several months pregnant when murdered.

Date of Homicide 08/30/00

Victim 1: White Female, 42

Victim 2: White Male, 44

Suspect: White Male, 22

**I. CRIME**

A. RELATIONSHIP: Mother/Father/Son (Co-habiting)

B. CASE SUMMARY: Neighbors responded to the sound of fire alarms and the smell of smoke coming from the victims' apartment. When the neighbors extinguished the fire inside the apartment, the bodies of both victims were discovered wrapped in bedding and tied with electrical cord. The victims' adult son later gave a statement that he had shot and killed his parents after an argument and then set the fire. Suspect arrested, charged with two counts of First Degree Murder, Arson, and Robbery. Pled guilty, sentenced to life in prison.

**II. CRIMINAL RECORDS AND REPORTS**

A. DOMESTIC VIOLENCE

1. Victim 1 - No Record  
Victim 2 - No Record

2. Suspect - No Record

B. NON-DOMESTIC VIOLENT CRIMES

1. Victim 1 - No Record  
Victim 2 - No Record

2. Suspect - No Record

C. SUBSTANCE ABUSE ARRESTS

1. Victim 1 - No Record  
Victim 2 - No Record

2. Suspect - No Record

**III. CIVIL**

- A. Victim 1 - No Record  
Victim 2 - No Record
- B. Suspect - No Record

**IV. SERVICES**

- A. Victim 1 - Contacted the Employee Assistance Program at work about problems with her son.  
Victim 2 - No Record
- B. Suspect - No Record

**V. OTHER CONCERNS**

None noted.

Date of Homicide/Suicide: 09/07/00
------------------------------------

Victim: White Female, 42

Suspect: White Male, 58

**I. CRIME**

A. RELATIONSHIP: Girlfriend/Boyfriend (co-habitants)

B. CASE SUMMARY: On September 7, 2000, early in the morning, the victim was confronted at work by the suspect about his suspicions of infidelity as evidenced by letters he left behind for family and friends. He had her cell phone records which were located under her body. The suspect shot the victim several times in the torso and head, and then fatally shot himself in the chest. The bodies were found by the owner of the building.

**II. CRIMINAL RECORD AND REPORTS**

A. DOMESTIC VIOLENCE

1. Victim - No Record
2. Suspect - No Record

B. NON-DOMESTIC VIOLENT CRIMES

1. Victim - No Record
2. Suspect - No Record

C. SUBSTANCE ABUSE ARRESTS

1. Victim - No Record
2. Suspect - No Record

**III. CIVIL**

- A. Victim - No Record
- B. Suspect - No Record

**IV. SERVICES**

- A. Victim - No Record
- B. Suspect - No Record

**V. OTHER CONCERNS**

According to the Homicide Report, the suspect was exhibiting obsessive behavior towards the victim, i.e., following her, counting her personal hygiene products, checking her cell phone bills, and showing up at her place of business unannounced.

After the murder/suicide, the victim's family and friends received letters from the suspect attempting to justify his actions based on his belief that the victim was unfaithful.



Date of Homicide: 09/11/00

Victim: White Female, 34

Suspect: White Male, 22

**I. CRIME**

A. RELATIONSHIP: Girlfriend/Boyfriend (co-habitants)

B. CASE SUMMARY: On September 10, 2000, the victim and suspect had sexual relations and went to sleep. The suspect awoke about noon and found the victim unresponsive and "gurgling" bloody vomit. He attempted CPR and called rescue. Examination at the hospital revealed she had vaginal and anal trauma, and no brain function. She died the next day. On September 21, 2000, an autopsy was performed, and the case was ruled a homicide, with rectal trauma as the cause of death. The suspect was not charged.

**II. CRIMINAL RECORDS AND REPORTS**

A. DOMESTIC VIOLENCE

1. Victim - No Record
2. Suspect - No Record

B. NON-DOMESTIC VIOLENT CRIMES

1. Victim - No Record
2. Suspect - No Record

C. SUBSTANCE ABUSE ARRESTS

1. Victim - 10/28/93 - Disorderly Intoxication, Trespass After Warning (Complainant was her ex-husband)

Disposition - 30 days in jail

02/05/84 - Disorderly Intoxication, Indecent exposure, and Resisting Arrest Without Violence

Disposition - 2 days in jail

2. Suspect - No Record

**III. CIVIL**

- A. Victim - No Record
- B. Suspect - No Record

**IV. SERVICES**

- A. Victim - No Record
- B. Suspect - No Record

**V. OTHER CONCERNS**

The victim had a history of alcohol abuse.

A mutual friend advised detectives that the victim had recently told her the suspect was forcing her to use Ecstasy, then forcing intercourse, and that she was frightened by the effects.

The suspect admitted to a long history of drug-related sex between them.

The victim had numerous drugs in her system at the time of death including anti-depressants, Valium, and painkillers.

## PATTERNS/2000 ONLY

### GENDER

Seven of the homicides were committed by men who killed their female partners, resulting in eight deaths (as one man murdered his wife and ex-girlfriend). Two of the homicides were committed by women who killed their male partners. One man killed his parents. Six of the male suspects subsequently killed themselves as did one of the female suspects.

### RACE

Seven of the victims were white and five were black. Seven of the suspects were white, and three were black.

### RELATIONSHIP

Five of the cases involved parties who were married and co-habiting. One of these cases also involved a victim (ex-girlfriend) who was not married or co-habiting with the suspect. Four of the cases involved parties who were not married and were co-habiting. One case involved a non-intimate relationship where a mother and father and adult son were living in one household.

### METHOD

Eight of the homicides were the result of gunshot wounds. All six suicides were the result of gunshot wounds. Three of the homicides were the result of strangulation and one homicide was the result of rectal trauma.

### CHILDREN

None of the cases reported the presence of children during the homicide.

#### CRIMINAL HISTORY - DOMESTIC VIOLENCE

One male suspect had a prior arrest for domestic violence.

#### INJUNCTIONS

One female victim had a permanent injunction against her husband's ex-girlfriend.

#### CHILD ABUSE REFERRALS

No victims nor suspects were named in any child abuse reports.

#### SHELTER SERVICES

No victims nor suspects sought any shelter services.

#### HARK

There were no HARK referrals and no children were present during the homicides.

#### INTERVENTION

Only one suspect had a prior domestic violence arrest. No intervention was ordered as the case was dropped.

#### ALCOHOL/DRUG ABUSE

There were no victims with a history of illegal drug arrests; one victim had a history of alcohol-related arrests. One suspect had a history of alcohol-related arrests; two suspects had a history of illegal drug arrests. Reports indicated alcohol or drug use at the time of the homicide by two victims and two suspects.

# **PATTERNS DATE (1997 - 2000) (49 MONTHS)**

**51 Cases  
55 Murders  
14 Suicides**

## **GENDER**

In twenty-six of the cases the homicides were committed by men who killed their female partners. (During one of these homicides, the man also killed his wife's boyfriend. During another, a man killed both his wife and his girlfriend). Thirteen of the homicides were committed by women who killed their male partners. Two men killed their same sex partners. Eight men and two women killed other family members. Twelve of the men subsequently killed themselves as did three women.

## **RACE**

Thirty of the victims were white, twenty-two victims were black, two victims were Asian, and one victim was Hispanic. Thirty of the suspects were white, twenty were black, and one was Asian.

## **RELATIONSHIP**

Forty-one cases with forty-three victims involved intimate relationships. Seventeen of the parties were married and co-habiting (one man also killed his girlfriend while co-habiting with his wife). Five of the parties were married and separated. Thirteen of the parties were not married and co-habiting. Seven of the parties were not married and currently not co-habiting. Ten cases with twelve victims involved non-intimate relationships.

## METHOD

Thirty of the homicides were the result of gunshot wounds. Thirteen homicides were the result of knife wounds and seven were the result of strangulation. The remaining methods of homicide are as follows: Two were the result of blunt trauma to the head. One victim was thrown off a bridge and drowned. One victim died of a heart attack during the crime. One victim died of a hemorrhage. One victim died as the result of rectal trauma.

## CHILDREN

Thirteen of the fifty-one cases had children present during the homicide.

## CRIMINAL HISTORY - DOMESTIC VIOLENCE

Thirteen male victims had prior arrests for domestic violence; ten male suspects had prior arrests for domestic violence. Additionally, one male victim and one male suspect were named as suspects by separate victims in other domestic violence police reports. Four female victims had arrests for domestic violence. Two female suspects had prior arrests for domestic violence. One male suspect had an arrest for child abuse.

## INJUNCTIONS

Three female victims had injunctions in place during the murder, one also had a prior injunction. Three female victims had temporary injunctions that were dismissed for their failure to appear. One of the female victims had an injunction against the husband's girlfriend. One male suspect was the respondent of an injunction, and one male suspect was the respondent of an injunction as part of a prior divorce. Two of those victims with injunctions had reported violations of existing injunctions.

## CHILD ABUSE REFERRALS

Three families had referrals to the Department of Children and Families, and a male suspect had a child abuse referral for parenting classes as the result of his arrest.

## SHELTER SERVICES

Two female victims stayed briefly in shelter years before their deaths. Neither attended counseling sessions. One of the sheltered victims and two additional victims sought court advocacy. One female suspect went through a domestic violence educational class.

## HARK

There was only one HARK referral even though children were present in thirteen of the fifty-one homicide cases.

## INTERVENTION

Five male suspects were ordered in Batterers' Intervention Programs. Three were terminated for failure to attend, one completed (but later killed his mother), and one committed the homicide before attending. Three male victims were ordered in Batterers' Intervention as a result of domestic violence arrests. Other intervention was ordered as follows: One suspect was ordered in marriage counseling as part of an injunction. One male victim was ordered in generic counseling for a previous domestic battery. Four male victims were previously ordered, as part of earlier domestic violence cases, to attend anger management.

## ALCOHOL/DRUG USE

(1998-2000 only) Nine victims had a history of drugs and/or alcohol abuse. Sixteen suspects had a history of drugs and/or alcohol abuse. Police reports indicated alcohol or drug use at the time of the homicide by seven victims and five suspects. One of the suspects was charged with Violation of Probation at the time of the murder for his failure to attend alcohol counseling.

## **MENTAL HEALTH**

(1998-2000 only) Mental health issues were noted on police reports or in statements of acquaintances in cases concerning one victim and six suspects. Additionally, one victim sought marriage counseling and one victim sought assistance through the employer's assistance program.



# **CONCLUSIONS**

**(1997-2000)**

In the forty-nine months covered in this study, there were fifty-five homicide victims and fourteen subsequent suicides by the suspect, resulting in a total of sixty-nine domestic violence related deaths. This study does not cover child abuse deaths.

In this study, 13 women killed their male partners. In sixty-one percent of these cases, the women had a history of being victimized by the person they killed. Men who kill their female partners often do so as the culmination of a long-standing battering relationship. In forty-six percent of the twenty-six cases where men killed their female partners, there was a documented history of his prior arrest for domestic violence against her. In one additional case, there was a violation of a domestic violence injunction. In fifty percent of these cases, there was only one opportunity for the criminal justice system to intervene before a homicide occurred.

Two cases involved homicides between same sex male partners. In one of these cases, the suspect had one prior arrest for domestic violence. None of the homicides involved same sex female partners.

The only notable relationship pattern in the ten non-intimate homicides was in the four where parents were killed by an adult child. In all of these cases, the suspect was male.

Homicide/suicide involves the killing of one or more persons followed soon thereafter by the suicide of the perpetrator. Twenty-seven percent of the homicide cases in this four-year period involved homicide/suicides and two additional cases involved attempted suicides following homicides. However, looking at 2000 alone, seventy percent of the cases involved homicide/suicides.

Fifty-five percent of the total number of homicides were the result of gunshot wounds. Furthermore, ninety-three percent of the suicides were also committed with a firearm. Therefore, limiting access to firearms in the domestic violence cases appears to be warranted and may reduce the total number of domestic violence deaths.

State standards and leading experts agree that marriage counseling or anger management is not appropriate intervention when violence is present. A state certified batterers' intervention program is statutorily recommended in domestic violence cases. Of these fifty-one cases, twelve parties had a prior documented history of domestic violence, yet only five (42%) were ordered in batterers' intervention programs and only one completed the course.

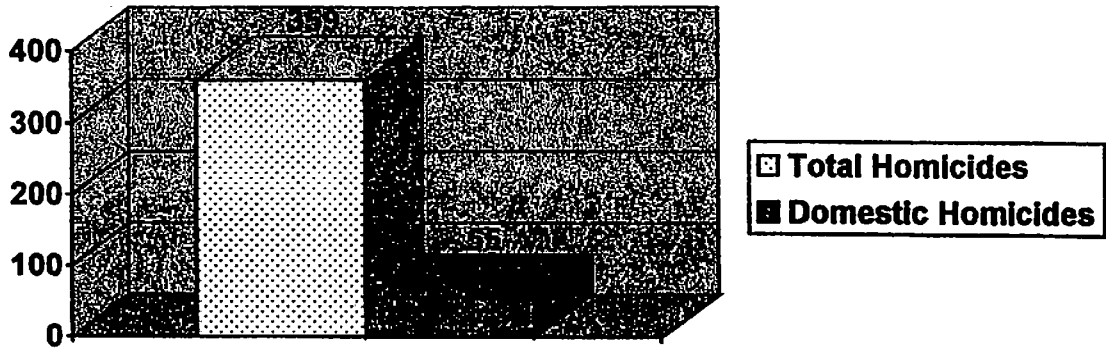
The year 2000 may be significant if it is indicative of an ongoing trend. There was a dramatic decrease in the number of homicide cases compared to the previous two years; there was a forty-seven percent decrease in domestic homicides as compared to 1999 and a twenty-three percent decrease in domestic homicides as compared to 1998. It is too soon to draw conclusions as to the reason(s) for these decreases, but it is also noted that there was only one case in ten (10%) in 2000 where there was a prior domestic violence police report filed. This is compared to forty-seven percent of the cases in 1999 which had prior police reports written, as did fifty-four percent of the cases in 1998.

Although only twenty-four of the fifty-one cases had any documented police or social service involvement, many police reports noted family, friends or co-workers stating they were aware of some of the factors that are known lethality indicators, yet they did not act on their concerns. This reluctance to intervene is unfortunately common and can be addressed through increased awareness and education of the community at large on what can be done when one suspects domestic violence. In addition to the criminal justice system, every citizen has a responsibility to hold the perpetrator accountable.

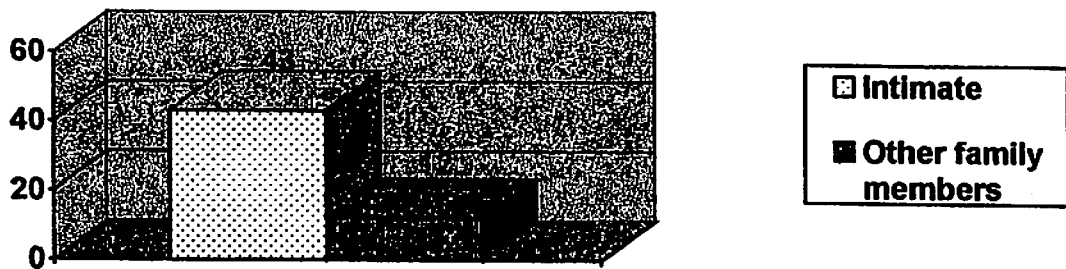
**GRAPHS**

**DECEMBER 1996 THROUGH DECEMBER 2000**

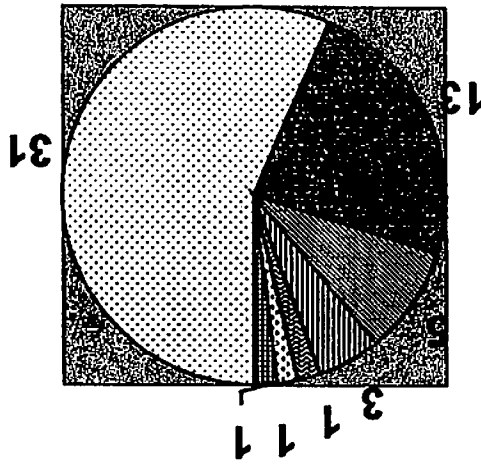
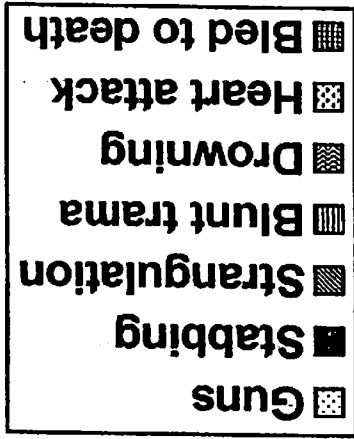
# Victims of homicides



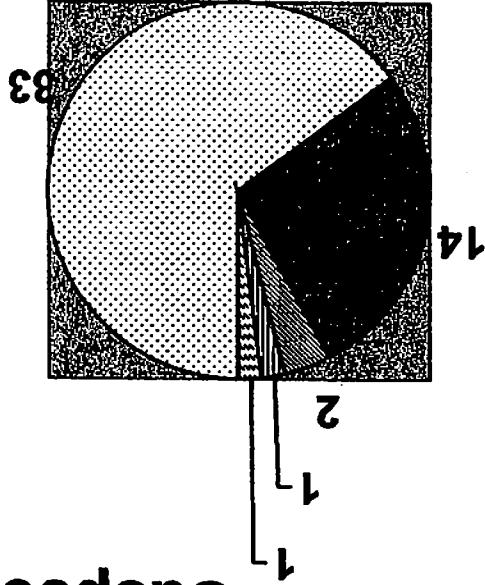
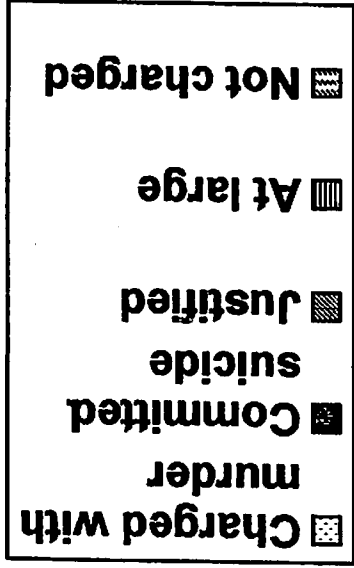
# Victims of domestic homicides



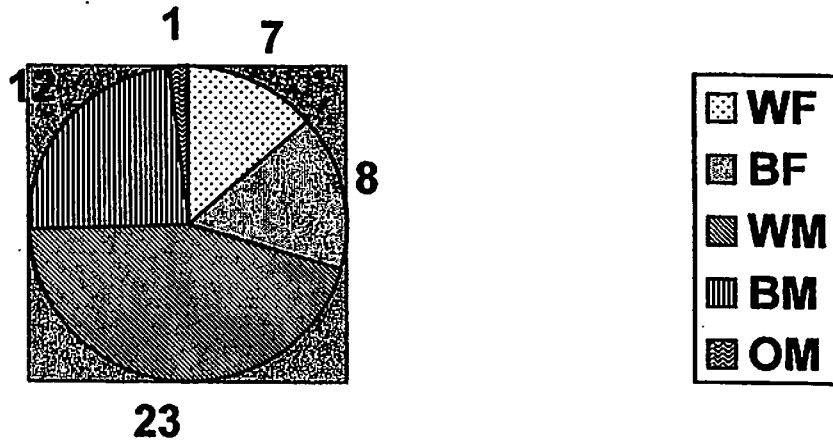
### Method of homicide



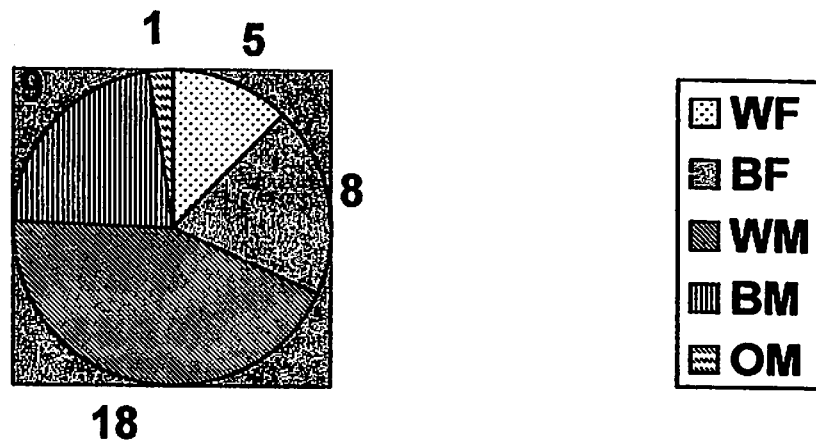
### Suspect status



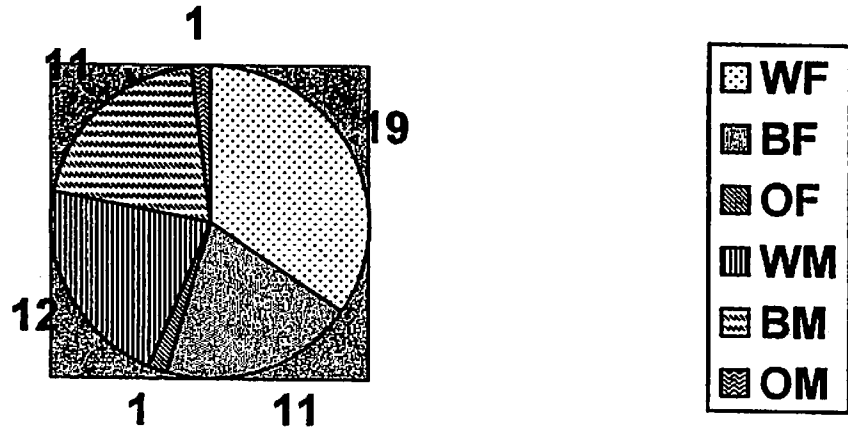
## Race and gender of suspects / domestic homicides



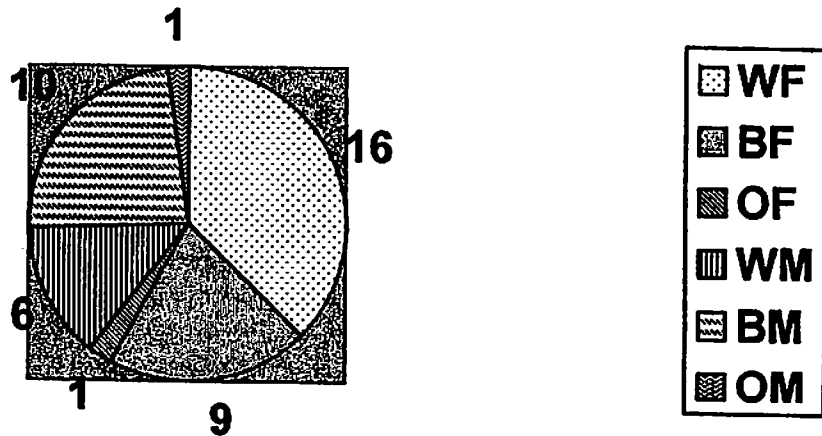
## Race and gender of suspects / intimate homicides only



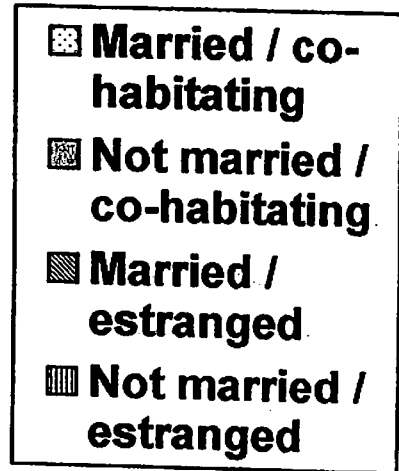
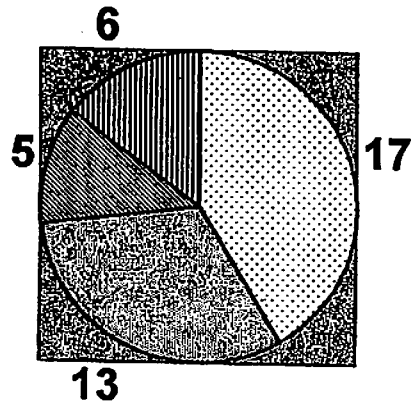
## Race and gender of victims / domestic homicides



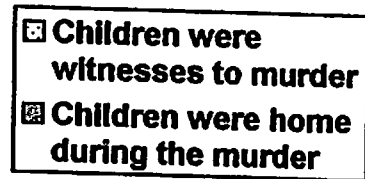
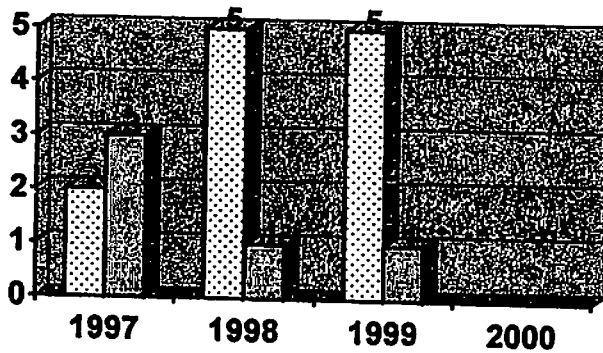
## Race and gender of victims / intimate homicides only



# Relationship status of intimate homicides

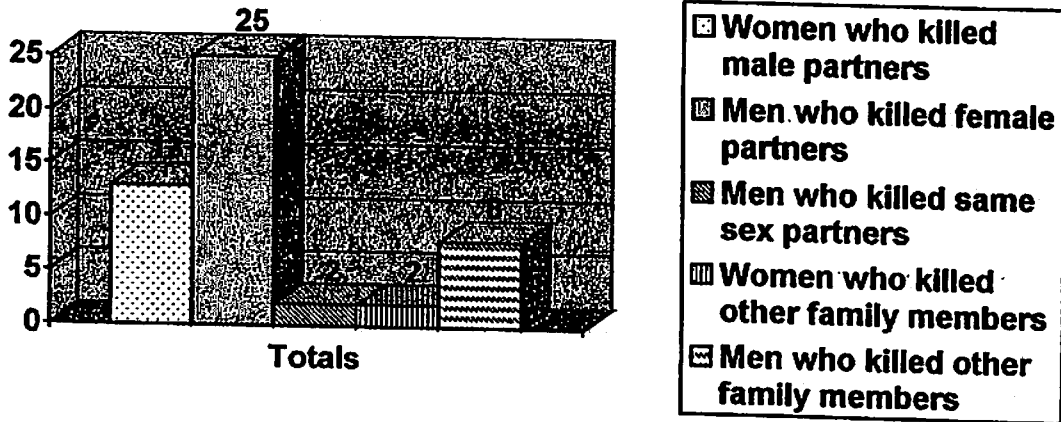


# Children

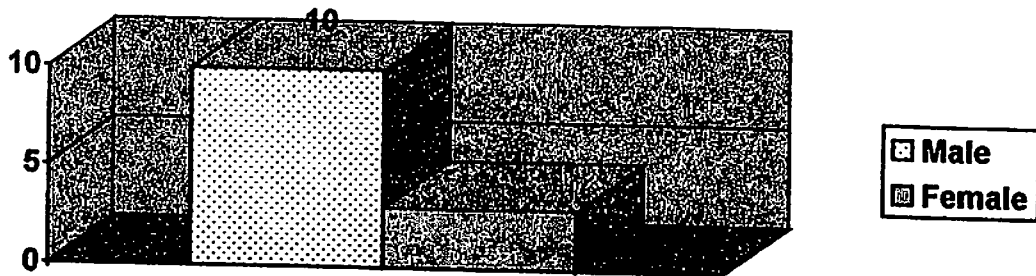




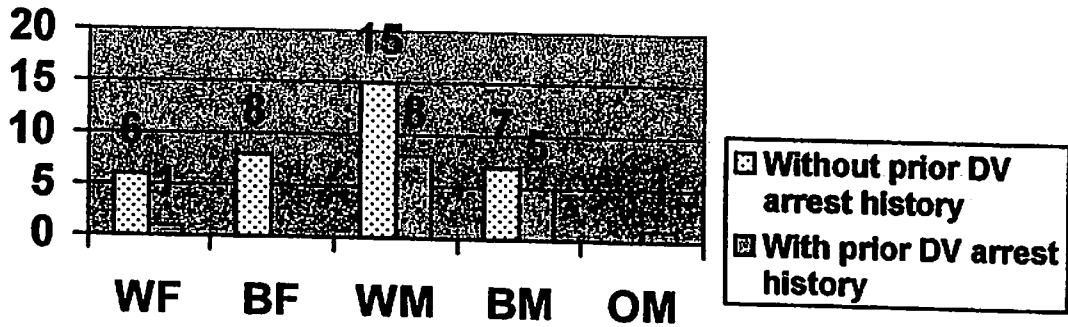
## Gender of suspects



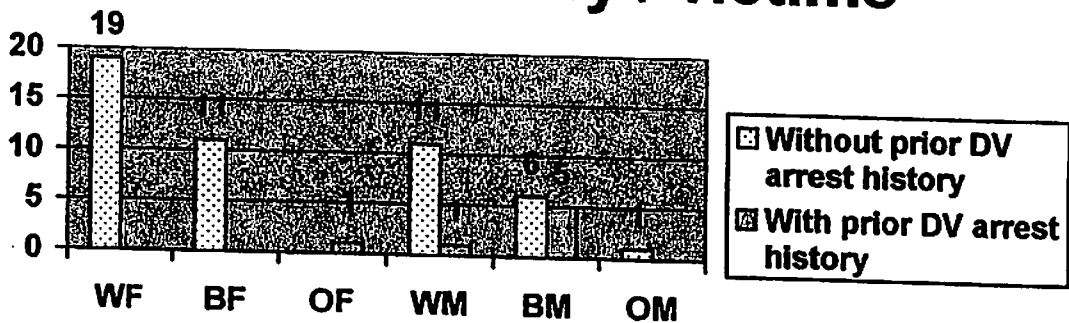
## Gender of suspects who commit suicide



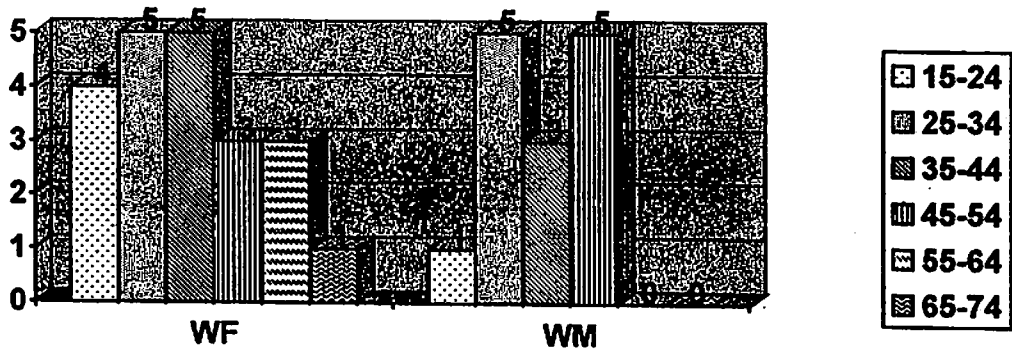
## Prior domestic violence arrest history / suspects



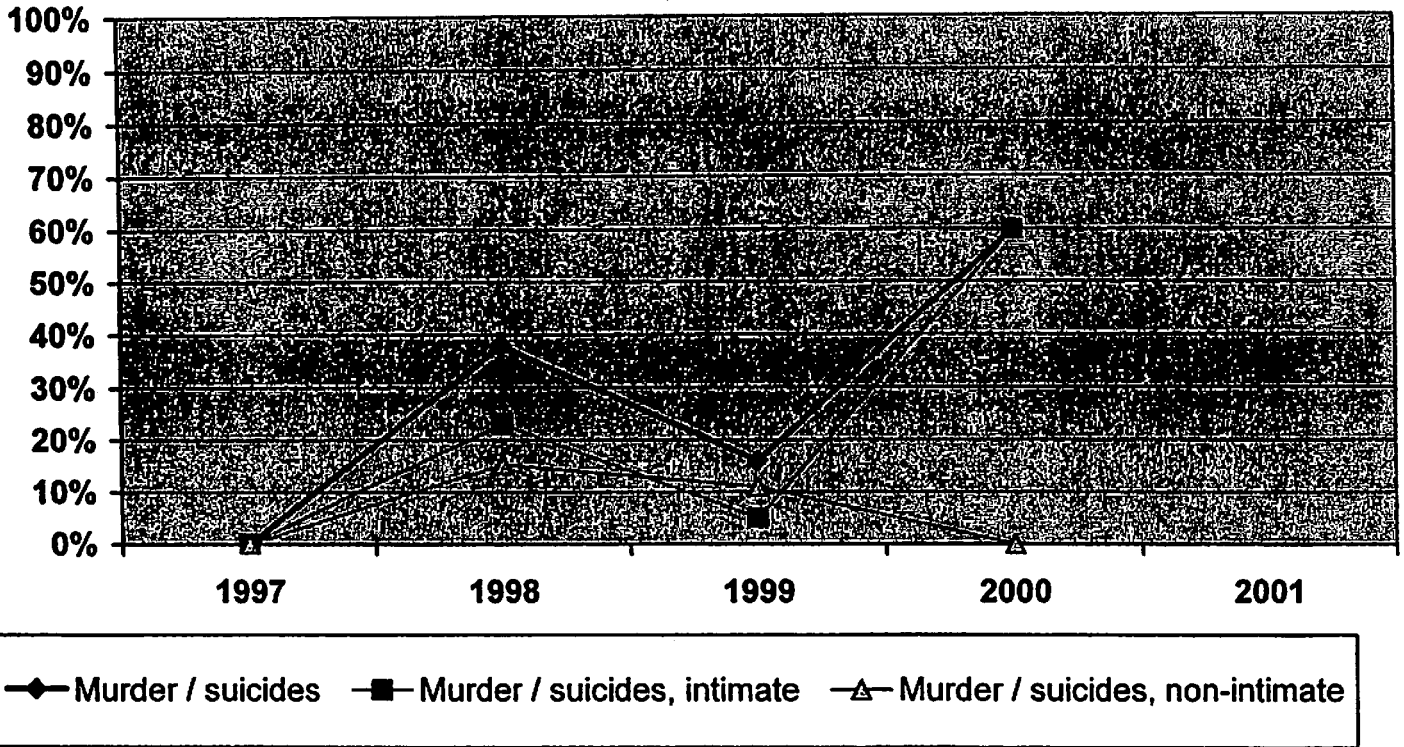
## Prior domestic violence arrest history / victims



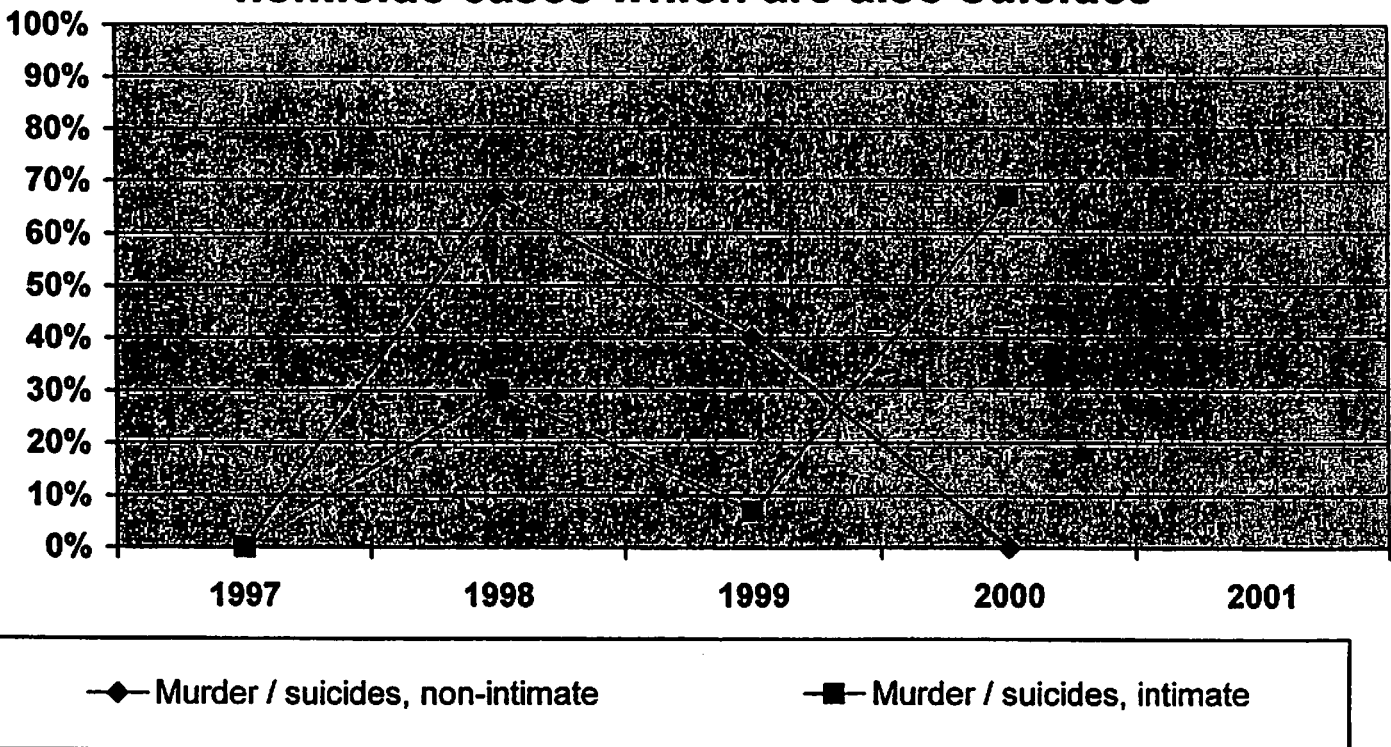
# Age range of victims



## Percentage of total DV homicide cases which are also suicides



## Percentage of intimate and non-intimate DV homicide cases which are also suicides



**APPENDIX A**  
**1997 PATTERNS**

APPENDIX A

**1997 PATTERNS**

**GENDER**

Six of the homicides were committed by women who killed their male partners. Two were committed by men who killed their female partners. One was committed by an adult male who killed his parents.

**RACE**

Six of the victims were black; four were white; seven of the suspects were black; two were white.

**RELATIONSHIP**

Three of the parties were married and cohabitating at the time of the homicide; three were non-married partners who were not currently cohabitating; two were non-married partners cohabitating, one was an adult man and his parents, thus non-intimate partners.

**METHOD**

Five of the homicides were the result of gunshot wounds. Three of the homicides were the result of stab wounds, one victim died as the result of strangulation and one victim died of a heart attack during the crime.

**CRIMINAL HISTORY**

Four male victims had prior arrests for domestic violence. One male suspect had a prior arrest for domestic violence. Additionally, four male victims were named as suspects in other domestic violence police reports.

No females had arrest records for domestic violence, but one female suspect was named as the suspect in a domestic violence report.

#### CHILDREN

Children were eyewitnesses to two of the murders. In one other murder, a one year old child was present in the home.

#### CHILD ABUSE REFERRALS

One family had an HRS referral for child neglect before the murder.

#### SHELTER SERVICES

None of the victims used local shelter services.

#### HARK

No children attended the HARK Program.

#### INJUNCTIONS

In the nine domestic homicides, one female suspect filed a prior injunction against the victim.

#### INTERVENTION

Three male victims were ordered in the Batterers' Intervention Program and one appears to have completed the program. No male suspects were ordered in a batterers' intervention program and thus none completed one.





## CRIMINAL HISTORY

Two male victims had prior arrests for domestic violence; four male suspects had prior arrests for domestic violence. Additionally, one male victim and one male suspect were named as suspects in other domestic violence police reports.

Three female victims had prior arrests for domestic violence; two female suspects had prior arrests for domestic violence.

## INJUNCTIONS

In the 13 domestic homicides, three of the female victims had injunctions in place during the murder. Two of them had reported violations in these existing injunctions. One of the aforementioned victims had a separate injunction two and one-half years prior to her death which resulted in the suspect being violated with the court dismissing the case because the victim failed to appear.

## CHILD ABUSE REFERRALS

Two families had referrals to the Department of Children and Families.

## SHELTER SERVICES

One female victim received shelter and court advocacy. Two additional female victims sought court advocacy services. One female suspect went through the Safe Choices class twice.

## HARK

In one case the children were referred to HARK.

**APPENDIX C**  
**1999 PATTERNS**

